

PARAGON

Single Drum Rack

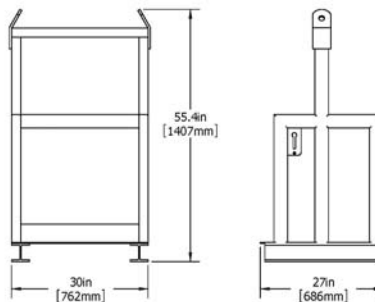


Specifications

Tare	SWL/Payload	Max Gross	Max Forklift	Test Weight
237 lbs	1,282 lbs	1,519 lbs	1,500 lbs	3,000 lbs

Inside Dimension	Outside Dimension	Cu. Ft.
1-55 gallon drum	30"Lx27"wx3' 9"h	N/A

Shackle Size	Sling Size	45° Sling Capacity	60° Sling Capacity
3/4" SAS	1/2"x2.5'x2-part	3.6 Ton	4.4 Ton



Paragon Industries, Inc.
2025 Railroad Avenue
Morgan City, LA 70380

www.paragonind.net

Phone: 985.384.6980
Toll Free: 800.391.9644
Fax: 985.384.6985