

Paragon Industries is an ISO 9001 : 2008 Certified Company

**PARAGON**

Morgan City, LA

[www.paragonind.net](http://www.paragonind.net)

# Cargo Boxes/Containers

6 x 6 x 6 Cargo/Pallet Box-Alum.

*cargo carrying unit*

## CARGO CARRYING LOGISTIC SOLUTIONS FOR THE 21ST CENTURY OILFIELD

Rental, Consignment, Lease Programs plus Purchase of Standard or Custom Built Cargo Carrying Units

### KEY BENEFITS

Aluminum Cargo Box for secure, watertight storage and handling of sensitive or perishable goods.

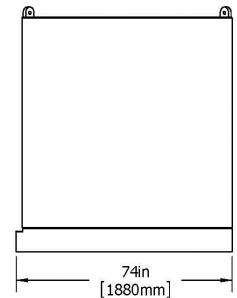
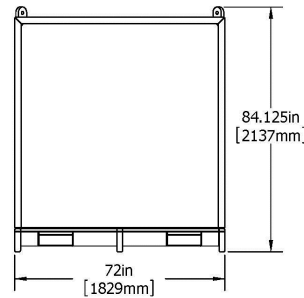
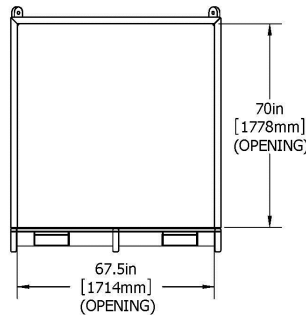
Built in safety features, with industry standard load and rigging certifications.

### KEY FEATURES

- GPS equipped and online tracking on all rental equipment
- Hot dip galvanized or Aluminum
- Standard shipped with a 2 or 4-part rigging /sling set
- Sling documentation available on request
- Domestic safety anchor shackles supplied with sling set.
- All sling set load capacities based on a 60° sling angle
- Stamped engineers structural analysis cover letter available
- Certified 3rd-party load test and non-destructive pad eye test (MPI / Dye Penetration).
- Engineered to Meet or Exceed API RP 2A and BHP requirements
- Conforms to Shell Exploration and Production Co (SEPCo) Document OPS 0055, latest edition



## 6' x 6' x 6' Aluminum Cargo/Pallet Box



### Specifications

Tare	SWL/Payload	Max Gross	Max Forklift	Test Weight
<b>1,200 lbs</b>	<b>8,000 lbs</b>	<b>9,200 lbs</b>	<b>9,200 lbs</b>	<b>18,400 lbs</b>

Inside Dimension	Outside Dimension	Cu. Ft.
<b>6'Lx6'wx6'h</b>	<b>6' 2"Lx6'wx7' 1/8"h</b>	<b>216</b>

Shackle Size	Sling Size	45° Sling Capacity	60° Sling Capacity
<b>7/8" SAS</b>	<b>1/2"x7"x4-partx(1"x2'7"stinger)</b>	<b>7.1 Ton Vertical</b>	<b>N/A</b>

### OPTIONS

Custom Engineered Design/Build Configurations for Unique Needs

**PARAGON**

Paragon Industries, Inc.  
2025 Railroad Ave.  
P.O. Box 2382  
Morgan City, LA 70381  
[www.paragonind.net](http://www.paragonind.net)

**Chad McWhirter**  
Manager, Business Development  
West of the Mississippi River  
985.714.2475  
[chadm@paragonind.net](mailto:chadm@paragonind.net)



**Todd Puckett**  
Manager, Business Development  
SE LA and East of the Mississippi  
985.714.2478  
[toddp@paragonind.net](mailto:toddp@paragonind.net)