

Paragon Industries is an ISO 9001 : 2008 Certified Company

PARAGON

Morgan City, LA

www.paragonind.net

Cargo Boxes/Containers

4 x 6 Cargo Box—Aluminum

cargo carrying unit

CARGO CARRYING LOGISTIC SOLUTIONS FOR THE 21ST CENTURY OILFIELD

Rental, Consignment, Lease Programs plus Purchase of Standard or Custom Built Cargo Carrying Units

KEY BENEFITS

Aluminum Cargo Box for secure, watertight storage and handling of sensitive or perishable goods.

Built in safety features, with industry standard load and rigging certifications.

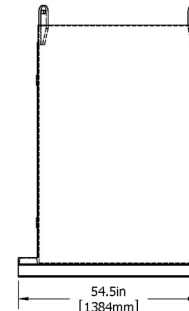
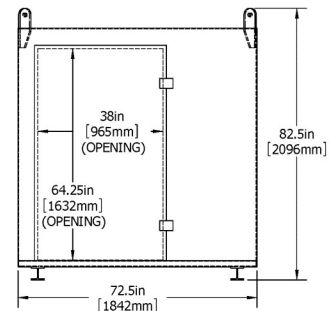
KEY FEATURES

- GPS equipped and online tracking on all rental equipment
- Hot dip galvanized or Aluminum
- Standard shipped with a 2 or 4-part rigging /slings set
- Sling documentation available on request
- Domestic safety anchor shackles supplied with sling set.
- All sling set load capacities based on a 60° sling angle
- Stamped engineers structural analysis cover letter available
- Certified 3rd-party load test and non-destructive pad eye test (MPI / Dye Penetration).
- Engineered to Meet or Exceed API RP 2A and BHP requirements
- Conforms to Shell Exploration and Production Co (SEPCo) Document OPS 0055, latest edition

OPTIONS

Custom Engineered Design/Build Configurations for Unique Needs

4' x 6' Aluminum Cargo Box



Specifications

Tare	SWL/Payload	Max Gross	Max Forklift	Test Weight
1,000 lbs	3,050 lbs	4,050 lbs	4,500 lbs	9,000 lbs

Inside Dimension	Outside Dimension	Cu. Ft.
6'Lx4'wx6'h	6'Lx4' 6"wx6' 10"h	144

Shackle Size	Sling Size	45° Sling Capacity	60° Sling Capacity
3/4" SAS	1/2"x6"x4-Part	7.1 Ton	8.8 Ton

PARAGON

Paragon Industries, Inc.
2025 Railroad Ave.
P.O. Box 2382
Morgan City, LA 70381
www.paragonind.net

Chad McWhirter
Manager, Business Development
West of the Mississippi River
985.714.2475
chadm@paragonind.net



Todd Puckett
Manager, Business Development
SE LA and East of the Mississippi
985.714.2478
toddp@paragonind.net