

Paragon Industries is an ISO 9001 : 2008 Certified Company

**PARAGON**

Morgan City, LA

[www.paragonind.net](http://www.paragonind.net)

# Material Baskets

4 x 4 Solid Side Basket

*cargo carrying unit*

## CARGO CARRYING LOGISTIC SOLUTIONS FOR THE 21ST CENTURY OILFIELD

Rental, Consignment, Lease Programs plus Purchase of Standard or Custom Built Cargo Carrying Units

### KEY BENEFITS

Solid Side Basket for compact or densely packed loads.

Built in safety features, with industry standard load and rigging certifications.

### KEY FEATURES

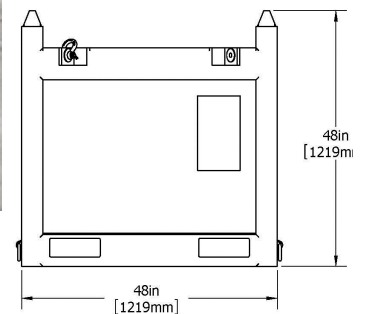
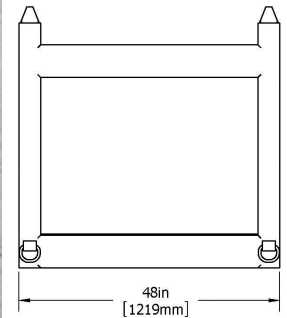
- GPS equipped and online tracking on all rental equipment
- Hot dip galvanized
- Standard shipped with a 2 or 4-part rigging /sling set
- Sling documentation available on request
- Domestic safety anchor shackles supplied with sling set.
- All sling set load capacities based on a 60° sling angle
- Stamped engineers structural analysis cover letter available
- Certified 3rd-party load test and non-destructive pad eye test (MPI / Dye Penetration).
- Engineered to Meet or Exceed API RP 2A and BHP requirements
- Conforms to Shell Exploration and Production Co (SEPCo) Document OPS 0055, latest edition

### OPTIONS

*Custom Engineered Design/Build Configurations for Unique Needs*



## 4' x 4' Solid Side Basket



### Specifications

Tare	SWL/Payload	Max Gross	Max Forklift	Test Weight
<b>1,500 lbs</b>	<b>8,000 lbs</b>	<b>9,500 lbs</b>	<b>9,500 lbs</b>	<b>19,000 lbs</b>

Inside Dimension	Outside Dimension	Cu. Ft.
<b>3' 6"Lx3' 6"Wx35"h</b>	<b>4'Lx4'wx4'h</b>	<b>64</b>

Shackle Size	Sling Size	45° Sling Capacity	60° Sling Capacity
<b>5/8" SAS</b>	<b>1/2"x4'-7"x4-part</b>	<b>7.1 Ton</b>	<b>8.8 Ton</b>

**PARAGON**

Paragon Industries, Inc.  
2025 Railroad Ave.  
P.O. Box 2382  
Morgan City, LA 70381  
[www.paragonind.net](http://www.paragonind.net)

**Chad McWhirter**  
Manager, Business Development

West of the Mississippi River  
985.714.2475  
[chadm@paragonind.net](mailto:chadm@paragonind.net)



**Todd Puckett**  
Manager, Business Development

SE LA and East of the Mississippi  
985.714.2478  
[toddp@paragonind.net](mailto:toddp@paragonind.net)