

PARAGON

Double High Pallet Box

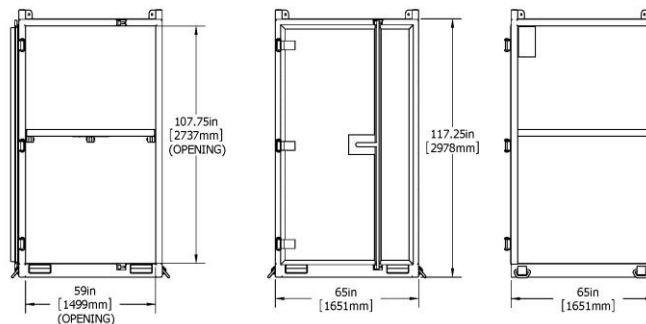


Specifications

Tare	SWL/Payload	Max Gross	Max Forklift	Test Weight
4,000 lbs	16,000 lbs	20,000 lbs	20,000 lbs	40,000 lbs

Inside Dimension	Outside Dimension	Cu. Ft.
4' 11" L x 4' 8" W x 9' h	5' 5" L x 5' 5" W x 10' 1" h	272

Shackle Size	Sling Size	45° Sling Capacity	60° Sling Capacity
3/4" SAS	3/4"x6'-7" x 4-part	16 Ton	19 Ton



Paragon Industries, Inc.
2025 Railroad Avenue
Morgan City, LA 70380

www.paragonind.net

Phone: 985.384.6980
Toll Free: 800.391.9644
Fax: 985.384.6985