



8' x 10' Double Door Container

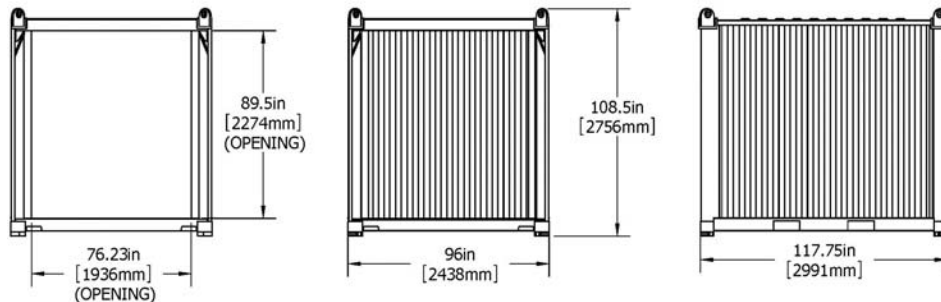


Specifications

Tare	SWL/Payload	Max Gross	Max Forklift	Test Weight
2,645 lbs	14,355 lbs	17,000lbs	17,000lbs	34,000 lbs

Inside Dimension	Outside Dimension	Cu. Ft.
9' 3"Lx7' 8"wx7' 10"h	10'Lx8'wx8' 6"h	560

Shackle Size	Sling Size	45° Sling Capacity	60° Sling Capacity
1" SAS	5/8"x10'x4-partx1-1/4"Stinger	14 Ton Vertical	N/A



Paragon Industries, Inc.
2025 Railroad Avenue
Morgan City, LA 70380

www.paragonind.net

Phone: 985.384.6980
Toll Free: 800.391.9644
Fax: 985.384.6985