

PARAGON

6' x 6' x 6' Solid Side Transporter

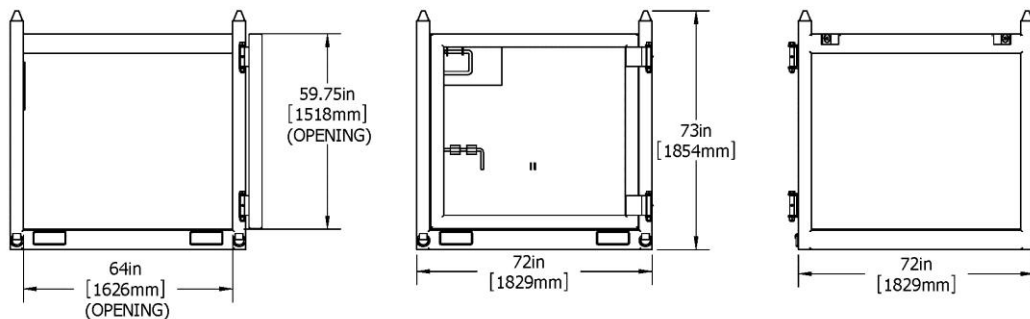


Specifications

| | | | | |
|------------------|-------------------|-------------------|-------------------|-------------------|
| Tare | SWL/Payload | Max Gross | Max Forklift | Test Weight |
| 3,000 lbs | 12,000 lbs | 15,000 lbs | 15,000 lbs | 30,000 lbs |

| | | |
|----------------------|-------------------|---------|
| Inside Dimension | Outside Dimension | Cu. Ft. |
| 5' 6"Lx5' 6"Wx5' 6"H | 6'Lx6'wx6' 1"H | 216 |

| | | | |
|--------------|-------------------|--------------------|--------------------|
| Shackle Size | Sling Size | 45° Sling Capacity | 60° Sling Capacity |
| 5/8" SAS | 5/8"x7'-4"x4-part | 11 Ton | 14 Ton |



Paragon Industries, Inc.
2025 Railroad Avenue
Morgan City, LA 70380

www.paragonind.net

Phone: 985.384.6980
Toll Free: 800.391.9644
Fax: 985.384.6985