



6' x 6' x 6' Aluminum Cargo/Pallet Box

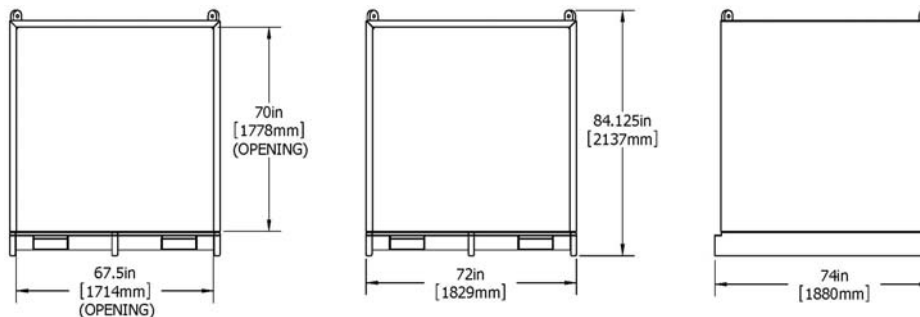


Specifications

Tare	SWL/Payload	Max Gross	Max Forklift	Test Weight
1,200 lbs	8,000 lbs	9,200 lbs	9,200 lbs	18,400 lbs

Inside Dimension	Outside Dimension	Cu. Ft.
6'Lx6'wx6'h	6' 2"Lx6'wx7' 1/8"h	216

Shackle Size	Sling Size	45° Sling Capacity	60° Sling Capacity
7/8" SAS	1/2"x7"x4-partx(1"x2'7"stinger)	7.1 Ton Vertical	N/A



Paragon Industries, Inc.
2025 Railroad Avenue
Morgan City, LA 70380

www.paragonind.net

Phone: 985.384.6980
Toll Free: 800.391.9644
Fax: 985.384.6985