



5' x 15' Two-Door Pallet Basket

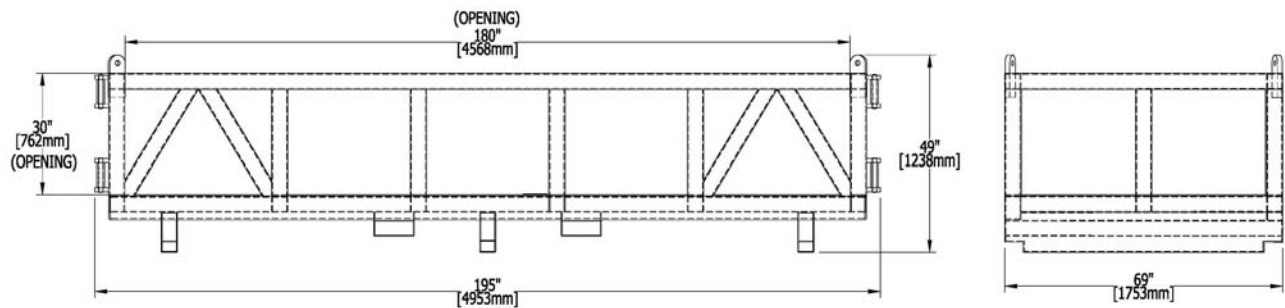


Specifications

| Tare | SWL/Payload | Max Gross | Max Forklift | Test Weight |
|------------------|-------------------|-------------------|-------------------|-------------------|
| 3,865 lbs | 18,654 lbs | 22,519 lbs | 22,519 lbs | 45,040 lbs |

| Inside Dimension | Outside Dimension | Cu. Ft. |
|-------------------------|----------------------------|--------------|
| 15'Lx5' 1"wx30"h | 5' 9"Lx15' 9"wx43"h | 187.5 |

| Shackle Size | Sling Size | 45° Sling Capacity | 60° Sling Capacity |
|-----------------|------------------------|--------------------|--------------------|
| 7/8" SAS | 5/8"x16'x4-part | 7.1 Ton | 8.8 Ton |



Paragon Industries, Inc.
2025 Railroad Avenue
Morgan City, LA 70380

www.paragonind.net

Phone: 985.384.6980
Toll Free: 800.391.9644
Fax: 985.384.6985