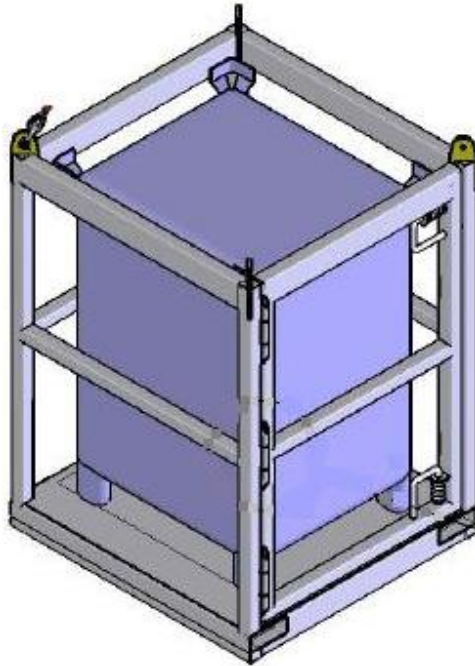


PARAGON

550 Gallon Single Tote Rack

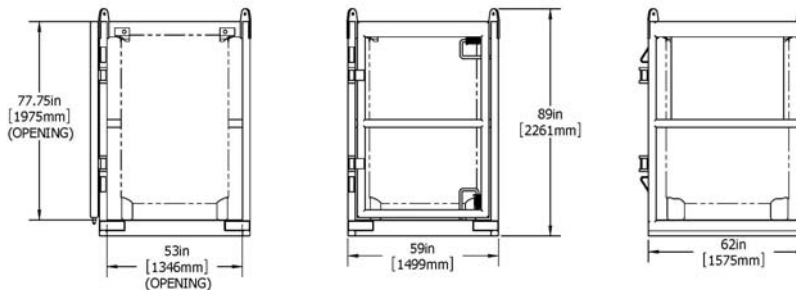


Specifications

Tare	SWL/Payload	Max Gross	Max Forklift	Test Weight
1,500 lbs	10,000 lbs	11,500 lbs	11,500 lbs	23,000 lbs

Inside Dimension	Outside Dimension	Cu. Ft.
1-550 Gallon Tote Tank	62"Lx59"wx89"h	N/A

Shackle Size	Sling Size	45° Sling Capacity	60° Sling Capacity
3/4" SAS	1/2"x6'-9"x4-part	7.1 Ton	8.8 Ton



Paragon Industries, Inc.
2025 Railroad Avenue
Morgan City, LA 70380

www.paragonind.net

Phone: 985.384.6980
Toll Free: 800.391.9644
Fax: 985.384.6985