

**PARAGON**

**4' x 8' Expanded Metal Basket**

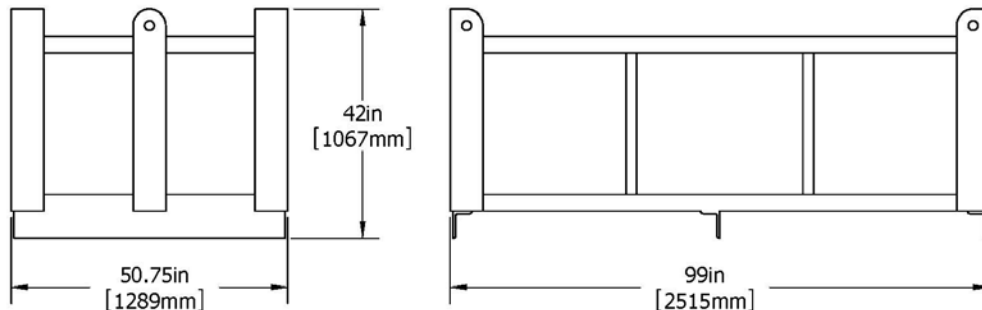


**Specifications**

Tare	SWL/Payload	Max Gross	Max Forklift	Test Weight
<b>1,500 lbs</b>	<b>4,250 lbs</b>	<b>5,750 lbs</b>	<b>5,750 lbs</b>	<b>11,500 lbs</b>

Inside Dimension	Outside Dimension	Cu. Ft.
<b>7' 8" L x 44" w x 32" h</b>	<b>8' 2" L x 50" w x 42" h</b>	<b>87</b>

Shackle Size	Sling Size	45° Sling Capacity	60° Sling Capacity
<b>3/4" SAS</b>	<b>1/2" x 8' x 4-part</b>	<b>7.1 Ton</b>	<b>8.8 Ton</b>



Paragon Industries, Inc.  
2025 Railroad Avenue  
Morgan City, LA 70380

[www.paragonind.net](http://www.paragonind.net)

Phone: 985.384.6980  
Toll Free: 800.391.9644  
Fax: 985.384.6985