

**PARAGON**

## 4' x 6' Aluminum Cargo Box

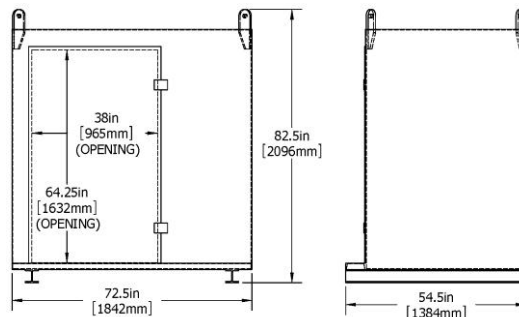


### Specifications

Tare	SWL/Payload	Max Gross	Max Forklift	Test Weight
<b>1,000 lbs</b>	<b>3,050 lbs</b>	<b>4,050 lbs</b>	<b>4,500 lbs</b>	<b>9,000 lbs</b>

Inside Dimension	Outside Dimension	Cu. Ft.
6'Lx4'wx6'h	6'Lx4' 6"wx6' 10"h	144

Shackle Size	Sling Size	45° Sling Capacity	60° Sling Capacity
7/8" SAS	1/2"x6"x4-Part	7.1 Ton	8.8 Ton



Paragon Industries, Inc.  
2025 Railroad Avenue  
Morgan City, LA 70380

[www.paragonind.net](http://www.paragonind.net)

Phone: 985.384.6980  
Toll Free: 800.391.9644  
Fax: 985.384.6985